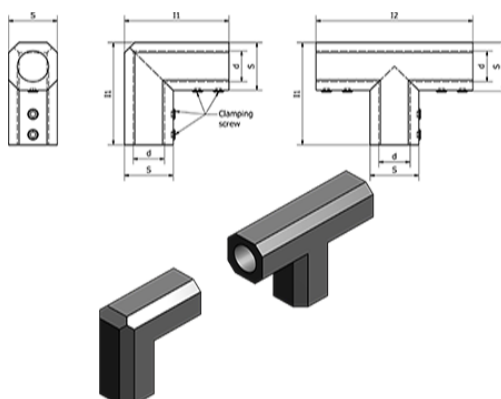


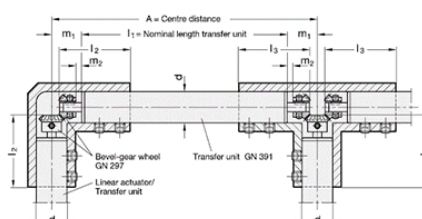
Varenummer: 2029828B18TSW

Beskrivelse: E+G Tandhjuls hus - GN 298-28-B18-T-SW

## Mål



Assembly of linear actuators and transfer units with bevel gear wheels in housings GN 298



d	l <sub>2</sub>	l <sub>3</sub>	m <sub>1</sub>	m <sub>2</sub>	Bevel gear wheel	Housing	Length of the transfer unit GN 298: l <sub>1</sub> = A - 2 x m <sub>1</sub>
18	42	41	20	4	GN 297-17,5-K6	GN 298-28-B18-W/T-SW	
30	58	57	25	1	GN 297-26-K8	GN 298-40-B30-W/T-SW	
40	74	72	32	1	GN 297-35-K12	GN 298-50-B40-W/T-SW	
50	90	82	32	1	GN 297-35-K12	GN 298-60-B50-W/T-SW	

d = B18

l1 = 60

l2 = 90

S = 28

Vægt (g) = 139